



3250GCPE FLASHER Owner's Manual

GENERAL

The heavy duty 3250GCPE electronic flasher has been designed to operate in the most severe environments. This unit also has output short circuit protection for reverse input voltage protection.

WARNING LIGHTS

The 3250GCPE flasher can be used with most incandescent, halogen, and LED warning lights.

CHARACTERISTICS & TIPS

- 1) For extended service reliability, it is important that the flasher is not overloaded. In some cases, the unit's short circuit protection may consider the overload a short circuit, and shut the unit down.
- 2) The A output of the flasher receives its operating voltage from the B output. If the B output does not flash, then as a result the A output will not flash.

SPECIFICATIONS

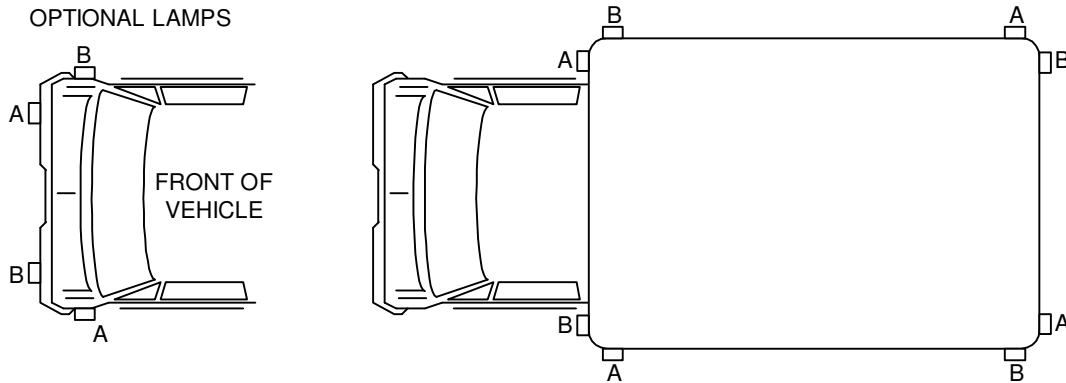
| | |
|---|---|
| Maximum output current: -with 50w lamps -with 35w lamps | 50 Amps per terminal 9 Typical per terminal 12 Typical per terminal |
| Input Voltage: | 10-16 Vdc, 13.6 Vdc nominal |
| Flashes per min. over full voltage range: | 60 ± 8% |
| Duty cycle: | 50/50 ± 10% |
| Ambient temperature: | -40 F to +150 F (-40 C to +65 C) |
| Fuse or Circuit Breaker: | 70 Amp max. |

TROUBLESHOOTING

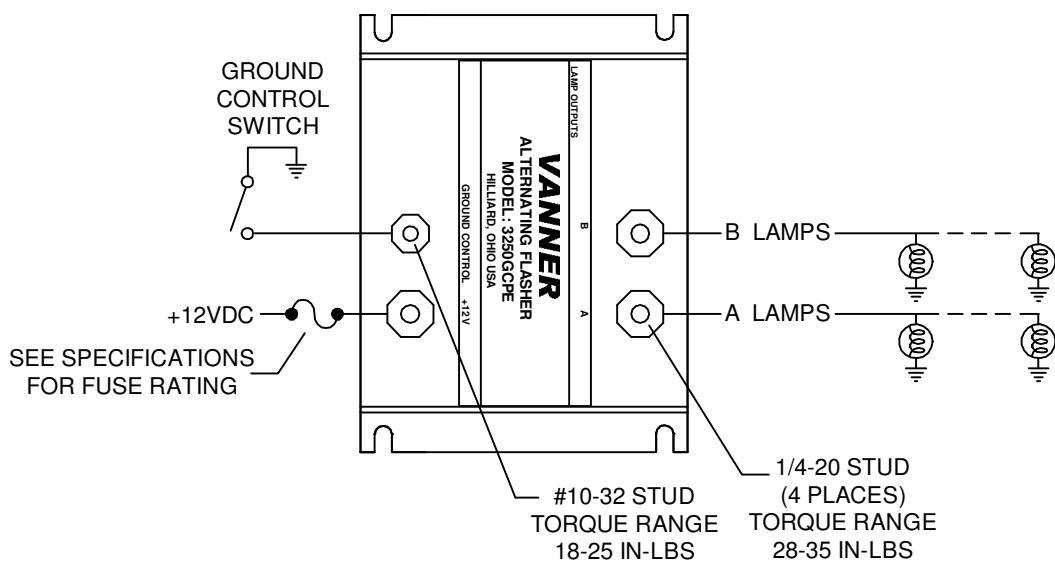
| PROBLEM | ITEMS TO CHECK |
|----------------------------|---|
| All outputs do not flash: | <ol style="list-style-type: none"> 1) Is the battery voltage less than 10Vdc? 2) Are the wire and light connections proper? 3) Do you have more than the rated number of lights on the outputs? 4) Is the remote ground switch wired correctly? |
| One output does not flash: | <ol style="list-style-type: none"> 1) Is the battery voltage less than 10 Vdc? 2) Is the affected output shorted or overloaded? |

*If after reviewing this chart you still can't locate the problem, contact Vanner for technical assistance--800-AC POWER

LAMP REPLACEMENT DIAGRAM



CONNECTION DIAGRAM



MOUNTING DIMENSIONS

